



**TAKEUCHI**

**TB217R**

Short tail excavator with canopy

The compact design, a width of less than one metre and the smallest swing radius allow the **TB217R** short tail excavator to work without restrictions even in the tightest of spaces.

At the same time, it convinces with maximum stability thanks to the hydraulically widenable undercarriage. The boom cylinder, designed as a neck cylinder, is optimally protected, especially during demolition work.



- » 1<sup>st</sup> hydraulic circuit, with proportional control with 33,6 l/min
- » 3 hydraulic circuits, 2 of which have proportional control
- » Hydraulic track width adjustment - for more stability
- » Lifting cylinder is designed as a neck cylinder and offers optimum protection even during demolition work



For three hours, two days  
or a whole year - if you need  
it for your construction site,  
you can **rent and buy** your  
TB217R from us.



# Huppenkothen added-value equipment:

**There is additional equipment that everyone wants.**

You therefore get all as standard from Huppenkothen. This makes your excavator more effective, faster and more comfortable.

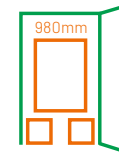
**Put simply - added value.**



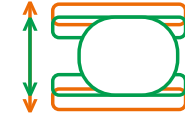
Exclusive additional equipment



Minimum slewing radius



Compact



Variable track width

## HYDRAULICS

3 hydraulic auxiliary circuits, 2 of which have proportional control

1<sup>st</sup> hydraulic auxiliary circuit, with proportional control - max. 33,6 l/min

2<sup>nd</sup> hydraulic auxiliary circuit, with proportional control - max. 10,8 l/min

3<sup>rd</sup> hydraulic auxiliary circuit, for hydraulic quick change plate HUPPPlate H

Hydraulic track width adjustment - for more stability

Mechanical switch valve - pressureless return flow for breaker operation

End position damping at boom and swing cylinder

## TECHNICAL AND SAFETY EQUIPMENT

Canopy ROPS (ISO12117-2) / OPG (ISO10262 Level I) / TOPS (ISO12117)

3,5" LCD-display incl. fuel and temperature indicator

Mechanically cushioned comfort seat

HFM Basic (HUPPIFleetManagement) - telematics system with 2 year term of use, extended for additional charge

Double air filter - additional protection for the engine

Spring-loaded accumulator on parking brake

Spring-loaded accumulator on slew brake

Pressure accumulator for pressure relief of hydraulic circuits and emergency boom lowering

Lifting points on the roof

Storage compartment with on-board toolkit

Dozer blade with extensions - depending on track width



Optional additional services

### HUPPIWarranty

Extended premium warranty package with all-round protection.

### HUPPIFleetManagement

An eye on every machine at all times with fleet management. First 2 years included in purchase price.

MAIN DIMENSIONS	
Service weight* (kg)	1.770
Total width (mm)	980 / 1.300**
Overall height (mm)	2.345
Transport length - dozer blade at the rear (mm)	3.970
Digging depth (mm)	2.390
Reach (mm)	4.000
Arm length (mm)	1.130
Tail swing radius (mm)	730
Tracks	Rubber
Track width (mm)	230
Ground contact (mm)	1.205
Ground pressure (kg/cm <sup>2</sup> )	0,26
Ground clearance (mm)	205
Dozer blade dimensions (mm)	980 (1.300**) x 310

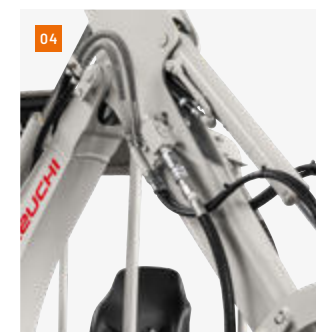
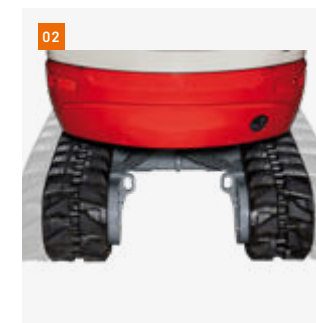
\* Machine weight + PT + HUPPPlate + medium size bucket + half a tank of diesel  
 \*\* max. track width

ENGINE	
Type	Yanmar 3TNV70 3-cylinder diesel engine Stage V emission level
Rated output ISO14396 (kW)	11,5 kW @ 2.400 r.p.m.
Displacement (cm <sup>3</sup> )	854
Fuel tank (l)	22

WORK PERFORMANCE	
Travel speed (km/h)	2,2 (1 <sup>st</sup> gear) / 4,2 (2 <sup>nd</sup> gear)
Slew speed (rpm)	9,2
Gradeability (degrees/%)	15 / 27
Boom swing angle l/r (°)	70 / 50
Digging force bucket (kN)	14
Digging force arm (kN)	8,2
Digging force boom (kN)	7,7

HYDRAULIC SYSTEM	
Hydraulic pumps	Double variable axial piston pump + 2 x gear pump
Pump pressure (bar)	210 x 210 x 200 x 34
Flow rate (l/min)	16,8 x 16,8 x 10,8 x 6,5
Hydraulic tank (l)	16 (Tank) / 24 (total)
Slew motor type	Axial piston motor, rigid
Travel motor type	Axial piston motor, variable

AUXILIARY CONTROL CIRCUITS	
1 <sup>st</sup> control circuit hydraulic breaker (l / min)	33,6
2 <sup>nd</sup> control circuit Powertilt / grab (l / min)	10,8



01 Ergonomic workplace for fatigue-free work. Boom cylinder is designed as a neck cylinder and offers optimum protection even during demolition work.

02 Hydraulic track width adjustment - for more stability

03 Long dozer blade made of torsion-free steel with manual widening

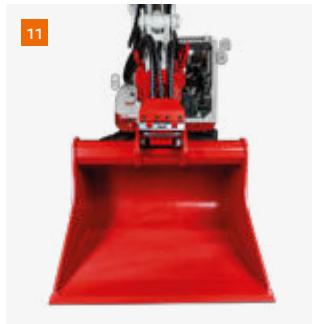
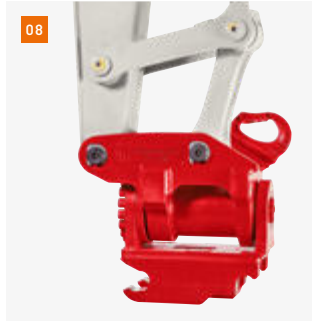
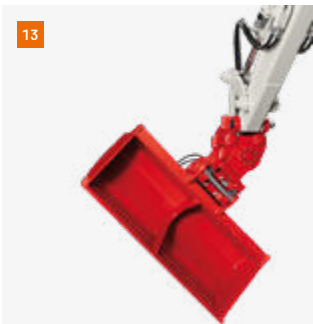
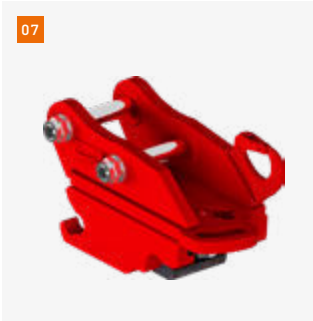
04 3 hydraulic auxiliary circuits, 2 of which have proportional control

05 Lockable refuelling flap

06 Generous maintenance hatch for optimum accessibility to hydraulic and fuel maintenance components, battery and radiator.







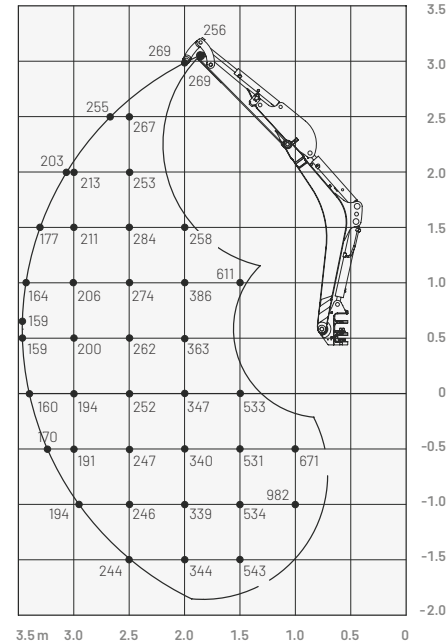
- 07 Mechanic quick change plate HUPPPlate M
- 08 HUPPTilt tilt device with hydraulic quick change plate HUPPPlate H
- 09 HUPPBreak hydraulic breaker 72
- 10 HUPPGrip universal grabber UG02 with HUPPTilt
- 11 HUPPTilt with hydraulic quick change plate HUPPPlate H, digging bucket can be mounted as high bucket
- 12 Earth drill - X2500
- 13 HUPPTilt with fixed trench bucket
- 14 Ripper Martin



More accessories at  
[huppenkothen.com/  
 excavator-accessories](http://huppenkothen.com/excavator-accessories)

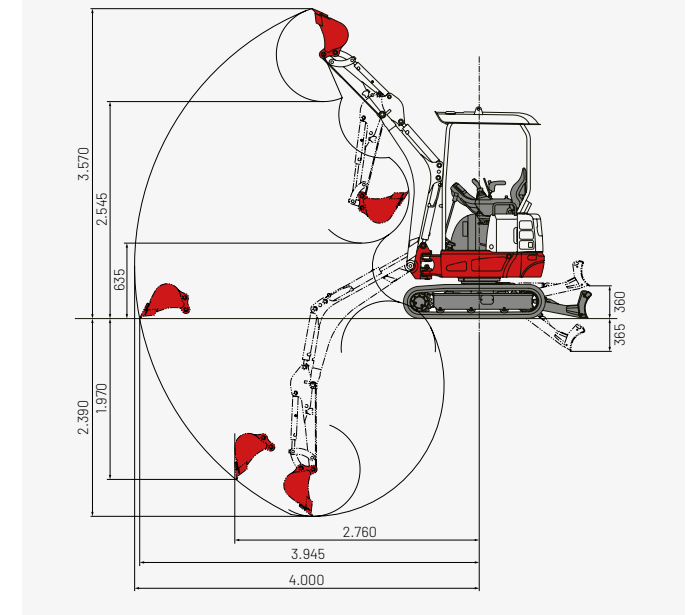
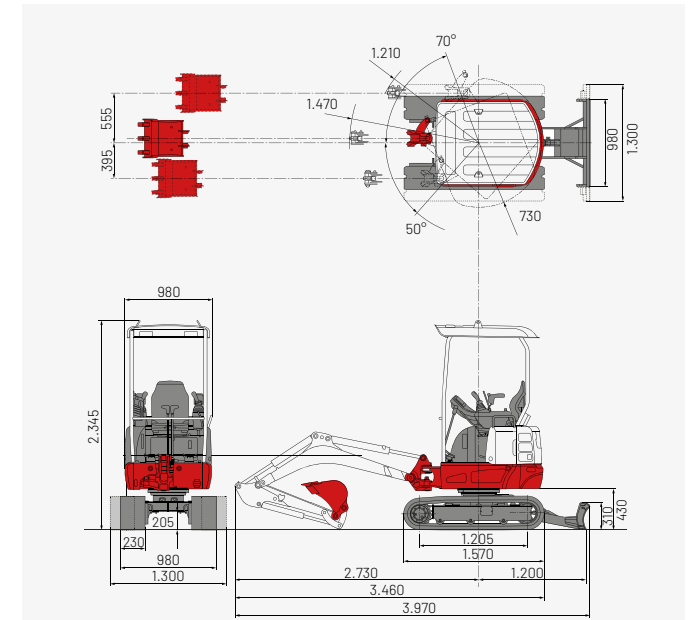
### Lifting load (kg)

Forward (upper dozer blade)



The loads in the diagram are within 87% of the hydraulic lifting load and within 75% of the tipping load.

### Dimensions (mm)



## Huppenkothen – your construction site, your partner, your success!

If you're looking to buy or rent a construction machine, if quality is important to you and you have no time to lose, then you've come to the right place with Huppenkothen. We provide all you need for your construction site. If you have any questions:

**We are always available.**

**41**  
Locations

**350**  
Employees

**4.500+**  
Machines

**100 %**  
Service

### AUSTRIA (AT)

/

#### Huppenkothen GmbH

Bundesstraße 117 / 6923 Lauterach  
T +43 50 663 400 / F +43 5574 778 24  
info@huppenkothen.com

### SWITZERLAND (CH)

/

#### Huppenkothen Baumaschinen AG

Hinterwiden / 9245 Oberbüren  
T +41 71 944 18 11 / F +41 71 944 18 69  
oberbueren@huppenkothen.com

### SOUTH-TIROL (IT)

/

#### Huppenkothen GmbH / SRL

Peter-Anich-Straße 1 / 39011 Lana (BZ)  
T +39 0473 491 170 / F +39 0473 491 171  
lana@huppenkothen.com

### SLOVENIA (SVN)

/

#### Huppenkothen d.o.o.

Slovenčeva ulica 97, 1113 Ljubljana  
T +386 15 300 333 / F +386 15 300 344  
ljubljana@huppenkothen.com

The complete  
Huppenkothen  
product range

